

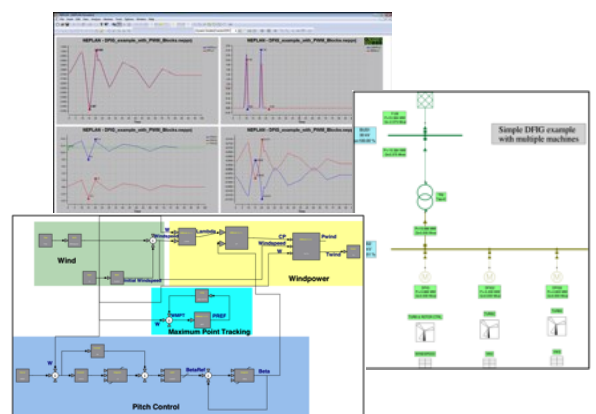
CONFERENCE

“Modeling, Integration and Stability Analysis of Non-Conventional Renewable Energies in the National Electricity System”



According to the advancement and integration of non-conventional renewable energy sources in the national transmission system, it is necessary to consider from the same planning the impact of these sources in operation of power systems.

The correct modeling of wind power plants, photovoltaic and their controllers, take special attention to development of studies in steady and dynamic state.



Attending requirements in Central and South America, and taking advantage of current computational tools; we are pleased to invite you to participate in this conference to learn the latest developments about theme.

Lazar Bizumić

PhD in Electrical Engineering, EPFL

Expert in modeling, development and analysis with renewable energy sources.

NEPLAN AG, Switzerland.

Rossano Musca

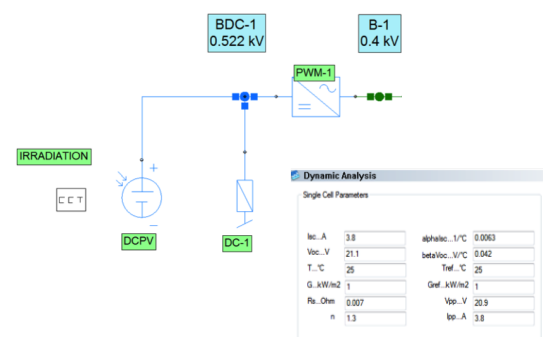
PhD in Electrical Engineering, University of Palermo, Italy

Expert in development and implementation of dynamic simulation models.

NEPLAN AG, Switzerland.

CONTENT

- Introduction to NEPLAN
- Renewable energy sources in steady state: Load flow analysis (wind power, PV panels, etc.)
- Short circuit calculation (IEC60909)
- Neplan programming library (application on renewable sources)
- Introduction to Neplan Dynamic Simulator
- Renewable energy sources in dynamics: models, wind power with wind profile, PV panels with solar irradiation, DFIG, batteries, IEC 61400-27.
- HVDC modeling (CSC and VSC)
- User defined models for dynamics
- Model Export/Import capabilities of Neplan (CIM, PSS-E, GIS)
- Q&A session



Limited Number of Participants



Monday March, 9th **Hotel Galería Plaza Reforma, México DF.**

Address: Hamburgo #195, Colonia Juárez.

Information: Ana Hernández, **e-mail:** ana.hernandez@gers.com.mx, Tel: +(52) 55 55354093.



Tuesday March, 10th **Hotel Barceló Guatemala City, Guatemala City, Guatemala.**

Address: 7 Avenida No.15-45.

Information: Marlon Ramírez, **e-mail:** mr Ramirez@prolecsa.com, Tel: +(502) 2442 1815.



Wednesday March, 11th **Unidad de Planeación Minero Energética, Bogotá, Colombia.**

Address: Avda. Calle 26 #69D-91, piso 9.

Information: Leinyker Palacios, **e-mail:** neplan@gers.com.co, Tel: +(57) 2 489 7000.



Friday March, 13th **Hotel Hilton Colón, Quito, Ecuador.**

Address: Avenida Amazonas No. 19-14 y Avenida Patria.

Information: Leidis Rubio, **e-mail:** asistente@leinfinite.com, Tel: +(593) 2 382 6859.



Monday March, 16th **Cámara de Comercio de Santiago, Chile.**

Address: Monjitas 392, Santiago Centro. Metro Bellas Artes.

Information: Andrea Abadía, **e-mail:** andrea.abadia@gers.cl, Tel: +56 (2) 3201 3819.