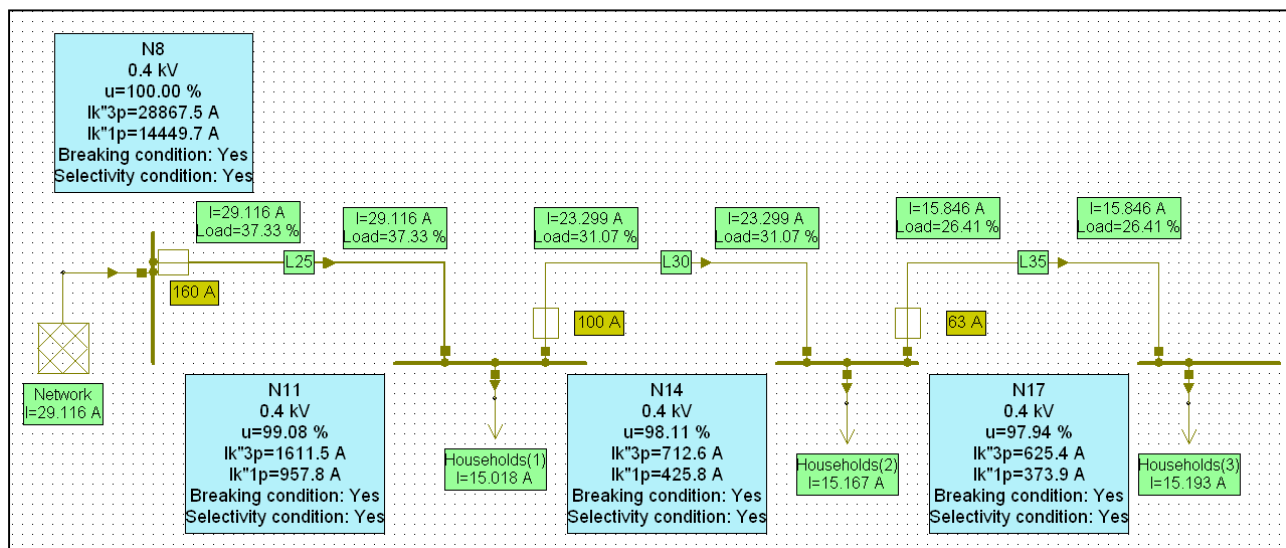


## Characteristics

- Calculation of the voltage drop and cable loadings with variable simultaneity factor for consumer types.
- Simultaneity factor is dependent on the number of loads of the same type in a feeder or line.
- Pre-defined consumer types are: household, warm water treatment, continues-flow water heater, storage warm water treatment, night heat storage.
- Consumer types and their characteristic can be defined by the user.
- Calculation of the minimum 3-phase and 1-phase short circuit.
- Checks the breaking condition
- Checks of the selectivity of fuses

## Results



	ID	Node	Description	U	u	U Angle	Ik"1p min	Ik"1p min Angle	Ik"3p min	Ik"3p min Angle	Ib	Breaking condition	Selectivity condition	Bad fuse for breaking	Bad fuse for selectivity
				V	%	°	A	°	A	°	A				
1	8	N8		400	100	0	14449.7	-88.1	28867.5	-84.3	29.1	<input checked="" type="checkbox"/>	<input checked="" type="checkbox"/>	-	-
2	27949	N11		396.3	99.08	-0.7	957.8	-70	1611.5	-69.6	29.1	<input checked="" type="checkbox"/>	<input checked="" type="checkbox"/>	-	-
3	27955	N17		391.8	97.94	-1.6	373.9	-69.2	625.4	-69	15.8	<input checked="" type="checkbox"/>	<input checked="" type="checkbox"/>	-	-
4	27952	N14		392.4	98.11	-1.5	425.8	-69.3	712.6	-69.1	23.3	<input checked="" type="checkbox"/>	<input checked="" type="checkbox"/>	-	-
5			Pv= 0.1 kW Qv= 0.6 kVar									<input type="checkbox"/>	<input type="checkbox"/>	-	-